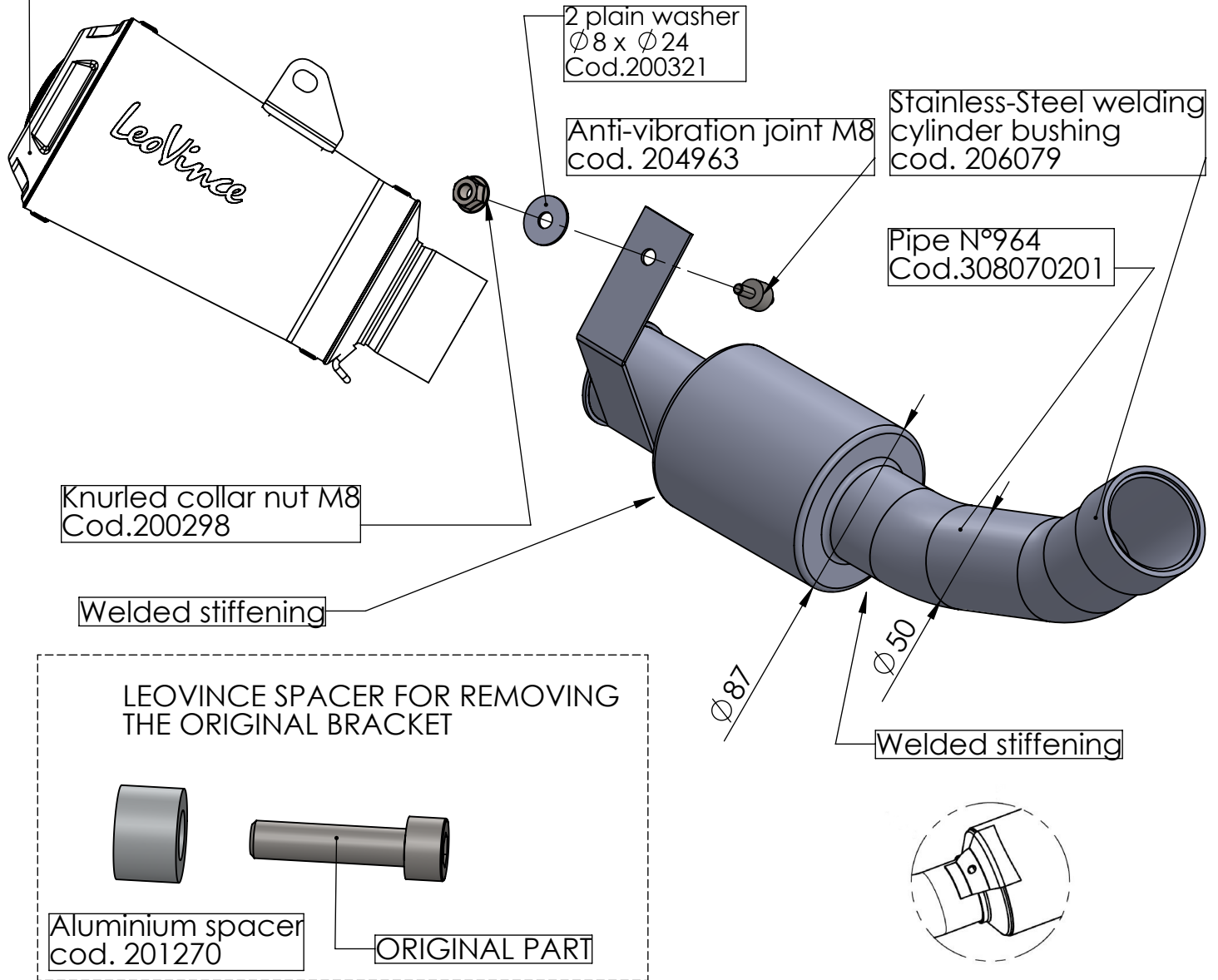


ORIGINAL SILENCER

OR

LEOVINCE ARTICLE 8702E-8703E-15220-15220B-15122- 14302E-14303E-15232-15232B



ART. 8070

KTM 690 DUKE - HUSQVARNA 701 VITPILEN

- Disconnect the control cables from the exhaust valve on the actuator side; by removing the original link pipe with the catalytic converter, also the valve connected to the link pipe and the cables are removed. The valve's servo motor should not be removed or disconnected.

WARNING

- Fitting the cat eliminator it is advisable to optimize the carburation by remapping the stock ECU or by adopting an additional ECU unit.